

YOUR ELECTRICAL WATER HEATER EXPERT



**eco
SMART**
GREEN ENERGY PRODUCTS

ELECTRIC SHOWER WATER HEATER



- **HAND HELD SHOWER HEAD INCLUDED**
- **REPLACEABLE HEATER ELEMENT**
- **WORKS WITH LOW WATER PRESSURE**
- **SAVE WATER AND ENERGY**
- **INSTANT HOT WATER**
- **EASY INSTALLATION**

TANKLESS WATER HEATER

"NO TANK,NO WAIT,NO COMPARISON"

**"THE MOST ADVANCED TANKLESS WATER HEATER
IN TODAY'S MARKET"**



IMPORTANT SAFETY INFORMATION

As when installing or using any high voltage electrical appliance, basic safety precautions should always be followed. Under no circumstances should you attempt to clean, install, inspect, repair, disassemble, or otherwise service this water heater without first shutting off all power to the unit directly at the breaker box.

SERIOUS BODILY INJURY OR DEATH COULD OCCUR IF YOU IGNORE THIS WARNING. FAILURE TO DO SO COULD CAUSE PROPERTY DAMAGE SERIOUS PERSONAL INJURY AND OR DEATH, THIS WATER HEATER MUST BE INSTALLED BY A LICENSED ELECTRICIAN AND PLUMBER. PROOF OF INSTALLATION MUST ACCOMPANY THE WARRANTY CARD.

PLEASE FOLLOW ALL RECOMMENDATIONS AND LOCAL CODE REQUIREMENTS.

FAILURE TO FOLLOW PROPER PROCEDURE IS HAZARDOUS. IT CAN ALSO DAMAGE THE HEATER AND VOID THE WARRANTY.

TURN OFF ELECTRICAL SUPPLY MAIN AND WATER SUPPLY BEFORE ATTEMPTING ANY INSTALLATION!

DO NOT TURN ON ELECTRIC OR WATER SUPPLY UNTIL INSTALLATION IS PROPERLY COMPLETED.

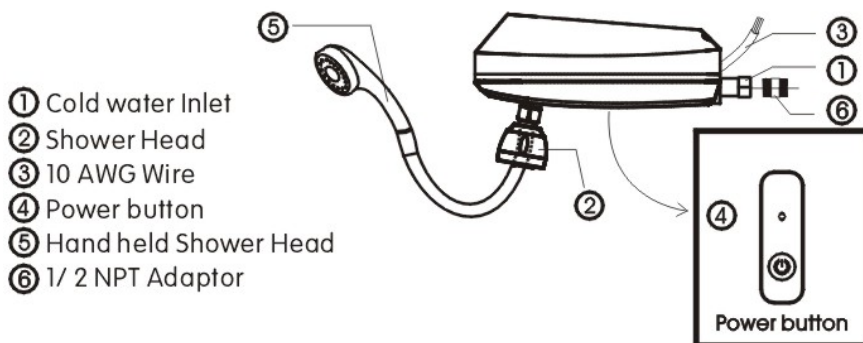
- **DO NOT** remove the heater cover or open the unit without first turning power off at breaker. This could cause **DEATH OR INJURY**.
- **DO NOT** Operate the unit if water ceases to flow during use. Contact technical support for this or any other issue of concern, On the web at:

WWW.ECOSMARTUS.COM

Call: 305-623-7900 or 877-474-6473

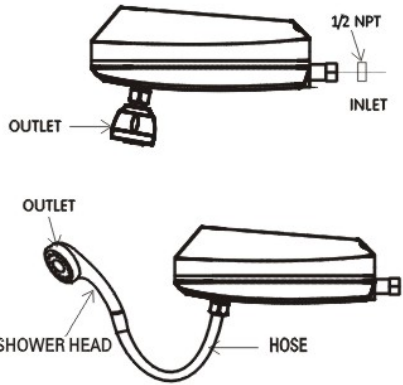
- Although installation is simple, **DO** have a licensed Plumber & Electrician perform the installation.
- **COMPLY WITH LOCAL CODES AND PERMITTING!**

PART IDENTIFICATION





PLUMBING

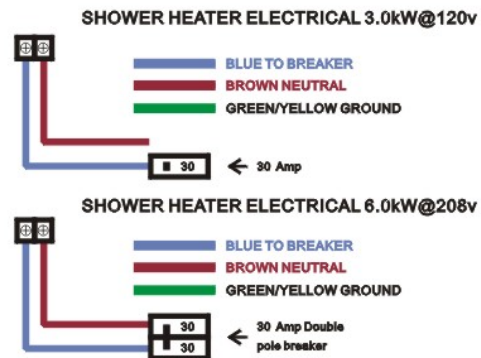


This water heater is supplied with 1/2" NPT fittings, Do not weld or use Teflon or paste. Connect the cold water supply line to the back of unit. Customer has the option to attach the included shower head or the hand held for the hot water supply.

Once water lines are fastened and secured you must run water through the unit for at least 2 to 3 minutes to flush any air pockets (purging) in the lines, Failure to follow this step can cause permanent damage to the unit. This procedure **MUST** be performed before any electrical power is turned on.

ELECTRICAL CONNECTION

The electrical installation is based on the different Models Unit must be installed to independent breakers as per Model specs.



HOW TO USE

1. Once the unit is installed turn the breaker on and click or push the power button to activate unit. The unit is flow activated so there is no need to turn the unit on and off.
2. Reducing the flow rate increases the outlet temperature. Increasing the flow rate reduces the outlet temperature.





**VERIFY ALL VOLTAGE & AMPERAGE INFO LISTED BELOW,
WITH THE ACTUAL LABEL SPECIFICATIONS ON YOUR UNIT,**

MODEL NO.	ECO3SH	ECO6SH
Max kW	3kW	6kW
Volts	120V	208V
Max power	25A	29A

**WIRE GAUGE AND BREAKER SIZE CAN VARY BASED
ON A NUMBER OF FACTORS INCLUDING SUPPLIED
VOLTAGE AND LENGTH OF CIRCUIT
CHECK LOCAL REQUIREMENTS.**

MODEL	Required breaker	Max power	AWG
ECO3SH	ONE 30AMP	25AMPS	#10
ECO6SH	ONE 30AMP	29AMPS	#10

NOTES:

REMARK:

- This appliance is not intended for use by persons(including children) with reduce physical, sensory or mental capabilities, or lack of experience and knowledge, unless they have been given supervision or instruction concerning use of the appliance by a person responsible for their safety.
- Never install any stop valve in the outlet pipe line.
- when you change the quick connect hose, do not use the old hose again.
- The max water pressure of the quick connect hose is 0.6MPa.
- The unit must be installed to independent breaker as per electrical diagram.
- Do not let the children play with the unit.

ECOSMART US LLC
3315 NW 167th Street
Miami Gardens, Florida 33056
WWW.ECOSMARTUS.COM
Tel: 305-623-7900
Fax: 305-623-7923
Toll Free:877-474-6473